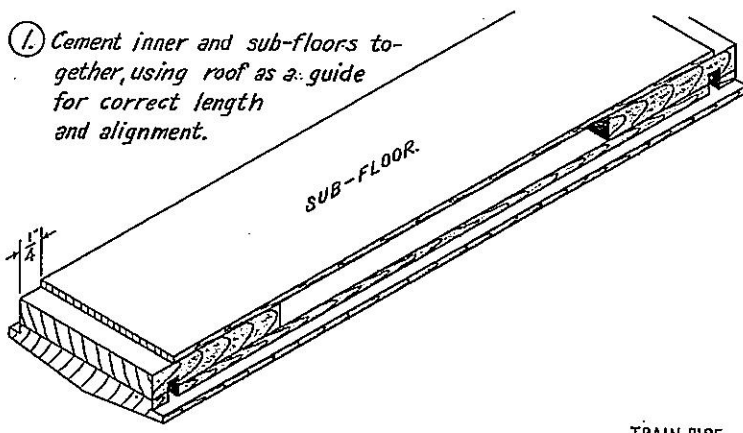
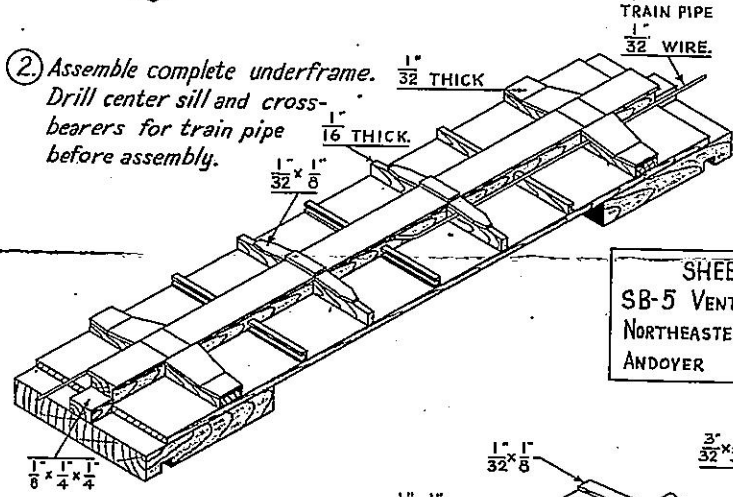


1. Cement inner and sub-floors together, using roof as a guide for correct length and alignment.

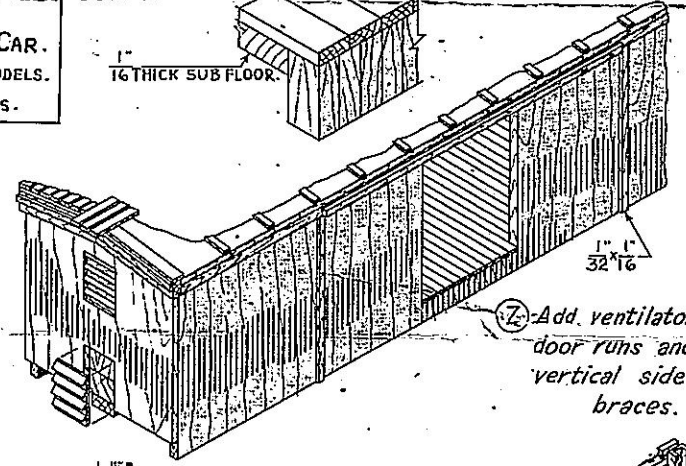
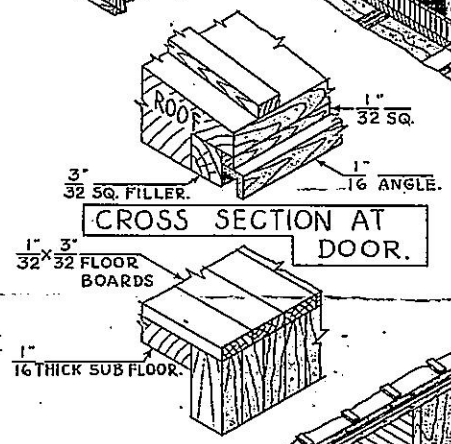
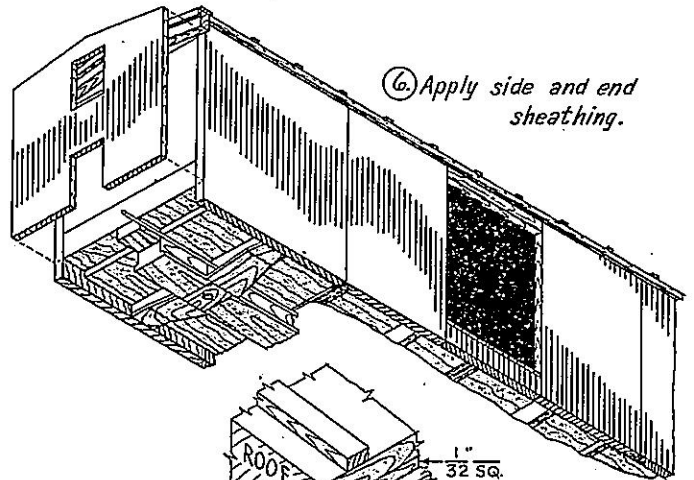
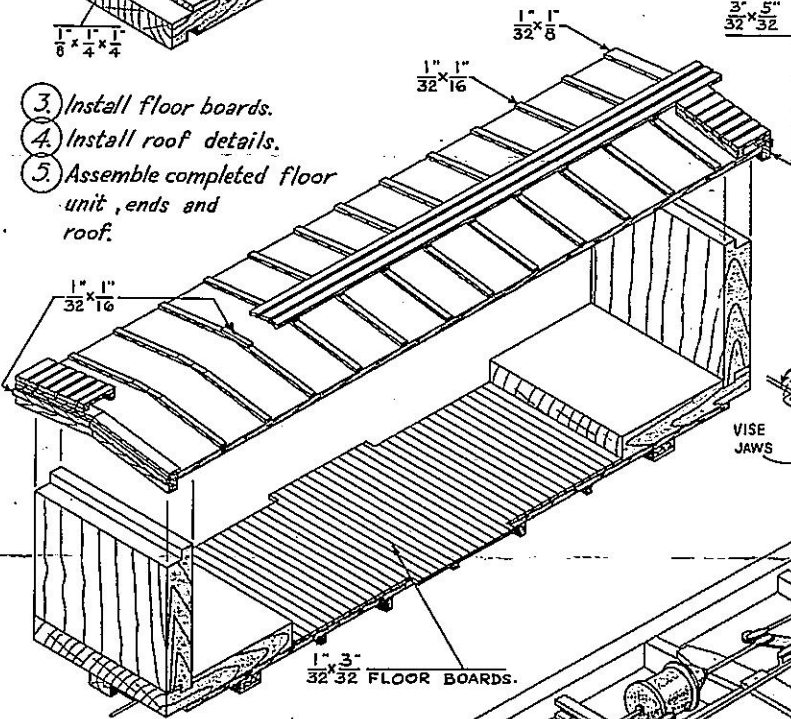


2. Assemble complete underframe. Drill center sill and cross-bearers for train pipe before assembly.

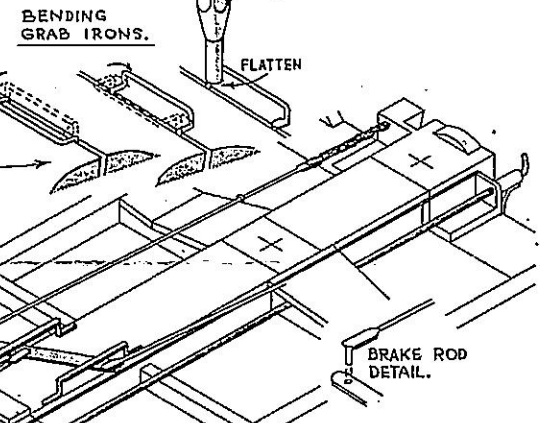


SHEET NO. 2.  
SB-5 VENTILATED BOX CAR.  
NORTHEASTERN SCALE MODELS.  
ANDOVER MASS.

3. Install floor boards.  
4. Install roof details.  
5. Assemble completed floor unit, ends and roof.



7. Add ventilators, door runs and vertical side braces.



8. Assemble doors. Cement 1/32 wire in grooves on back of screen door.

9. Install brake rigging. Air piping and rods are 1/32 wire. Levers are of sheet brass.

10. Add grab irons, ladders, etc. End sills are held on by small wood screws which also act as coupler pins. Sheet #1 shows correct location of hardware.

11. Paint entire car boxcar red. Paint doors separately and install when paint is thoroughly dry. Use spikes for lower door guides.

12. Assemble trucks. Fasten to bolsters with #2 x 3/4 wood screws.

