

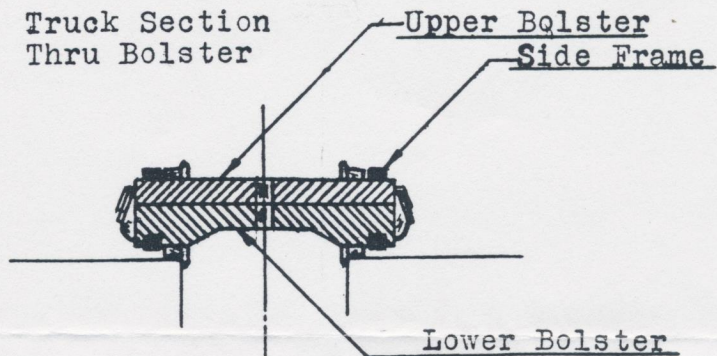
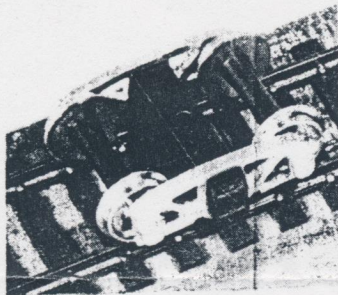
ASSEMBLY INSTRUCTIONS
For
3/16" Scale Andrews Freight Truck

A Product of

MIDGAGE MODELS, INC.

MANUFACTURERS OF "S" GAGE MODEL RAILROAD EQUIPMENT

PROPERTY OF
MAGE INC.



This kit contains the following parts from which, with reasonable care you can assemble a pair of well detailed, free rolling "S" gage trucks:

- 4 Brass Wheel & Plastic Axle Assemblies
- 4 Die Cast Side Frames
- 2 Plastic Upper Bolsters
- 2 Plastic Lower Bolsters
- 2 No. 4 x 3/4" long round head wood screws (king pins)

The side frames have been drilled for the axles and the rectangular opening in each frame has been accurately broached to fit the bolsters. Before attempting to assemble the side frames to the bolsters, remove any burrs from the upper and lower bolster by rubbing them on a flat file or piece of fine sandpaper. Check the lower bolster to see that there are no burrs in the milled slots which receive the lower part of the side frame. Also check both upper and lower bolster to see that they slide through the broached hole in the side frames without being

excessively tight. These parts should not be forced through the side frame openings; but rather should be a very light push fit.

Start assembly of the trucks by placing one of the side frames over the lower bolster and up into the milled slot. The upper bolster should then slide through the side frame on top of the lower bolster, locking the side frame in position. Do not push the upper bolster past the milled slot on the opposite end at this time. Hold this partial assembly with the bolster vertical and the side frame positioned in such a manner that the two wheel and axle assemblies can be inserted at the holes in the side frame and balanced upright.

Place the remaining side frame down over the bolster at a slight angle so that the lower bar will engage the milled slot in the bolster and at the same time, position the free end of the wheel and axle assemblies so that they enter the drilled holes in this side frame. Press the side frame up into the slot with the wheels and axle in position and push the upper bolster through the side frame opening until the king pin holes in both bolsters are in alignment, to complete the assembly.

Other Midgag products include built up arch bar trucks, 4 wheel commonwealth passenger trucks, streamlined coaches, transfers, refrigerator car sides, rail, tie strip, miniature spikes, American Flyer conversion kits, and miscellaneous hardware. See your dealer or send 10 cents (refunded with order), for our new completely illustrated "S" gage price list.

REMEMBER - MIDGAGE MEANS "S" GAUGE

MIDGAGE



MODELS, INC.

P. O. BOX 1044

PORTSMOUTH, R. I.